

DATE: June 15, 2021

DEPARTMENT OF GENERAL SERVICES
BUREAU OF CAPITAL PROJECT DESIGN MANAGEMENT
1800 HERR STREETS
HARRISBURG, PENNSYLVANIA

ADDENDUM NO. 6

on

PROJECT NO. DGS C-0199-0045 PHASE 001
PROJECT TITLE - Lower Woods Pond - Renovate Dam
PROFESSIONAL:

Schnabel Engineering, LLC
3 Dickinson Drive
Chadds Ford, PA, 19317

If you submitted a bid through e-Builder prior to this Addendum being issued, your bid has been discarded and you must re-submit your bid(s) through e-Builder prior to the bid opening date and time. Please see Section 4.C. of the Instruction to Bidder

GENERAL CLARIFICATION – ALL CONTRACTS

Item 1 - Specification Section 01 04 00, Paragraph 1.29.A, Permit Condition 8: Base construction flow shall be minimum of 0.47 CFS.

Item 2 - Specification Sections 01 04 00 and 01 31 00, DGS Project Manager's Office: If the project is suspended for a winter shutdown, the contractor is required to maintain all temporary utilities for the Manager's office during this period.

Item 3 - Specification Section 31 02 19 Dewatering Plan: Excavation Dewatering Plan is not required to be signed and sealed by a Professional Engineer.

Item 4 - Specification Section 31 25 73 Control of Water Observation: Item 5 is intended to be implemented during storm events and to establish monitoring protocols and action levels.

Item 5 - Drawing C-18, Spillway Drainage: The spillway drainage should extend under the C slabs only, refer to Detail 3 Sheet C-18 for dimensions.

Item 6 - Gravel Roads (Dam Crest 1 & 2): The Detail 6 on sheet C-14 should be followed.

Item 7 - Low Water Crossing: Planks are 12x4 ft. stream crossing planks/slats or a combination of interlocking ACB to provide a 12 ft. wide crossing.

Item 8 - Drawing S-4, Horizontal Construction Joints: Price proposal for the project shall be prepared as shown with the horizontal wall construction joint for basis of comparison. After award, a request to eliminate the horizontal construction joint may be evaluated.

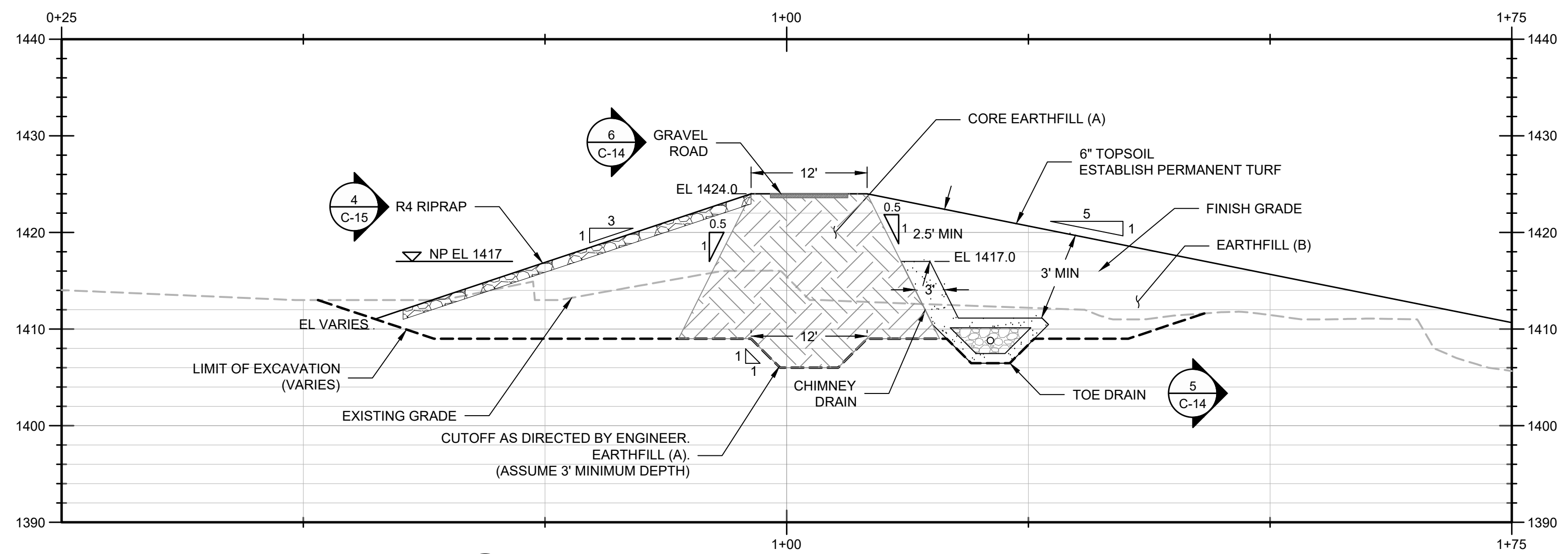
SPECIFICATION CHANGES – ALL CONTRACTS

Item 1 - 01 31 00, Sequence of Construction and Milestones: Paragraph 1.6.A: REVISE the first sentence to read "Work may be suspended for approximately 60 calendar days due to unsuitability of winter weather."

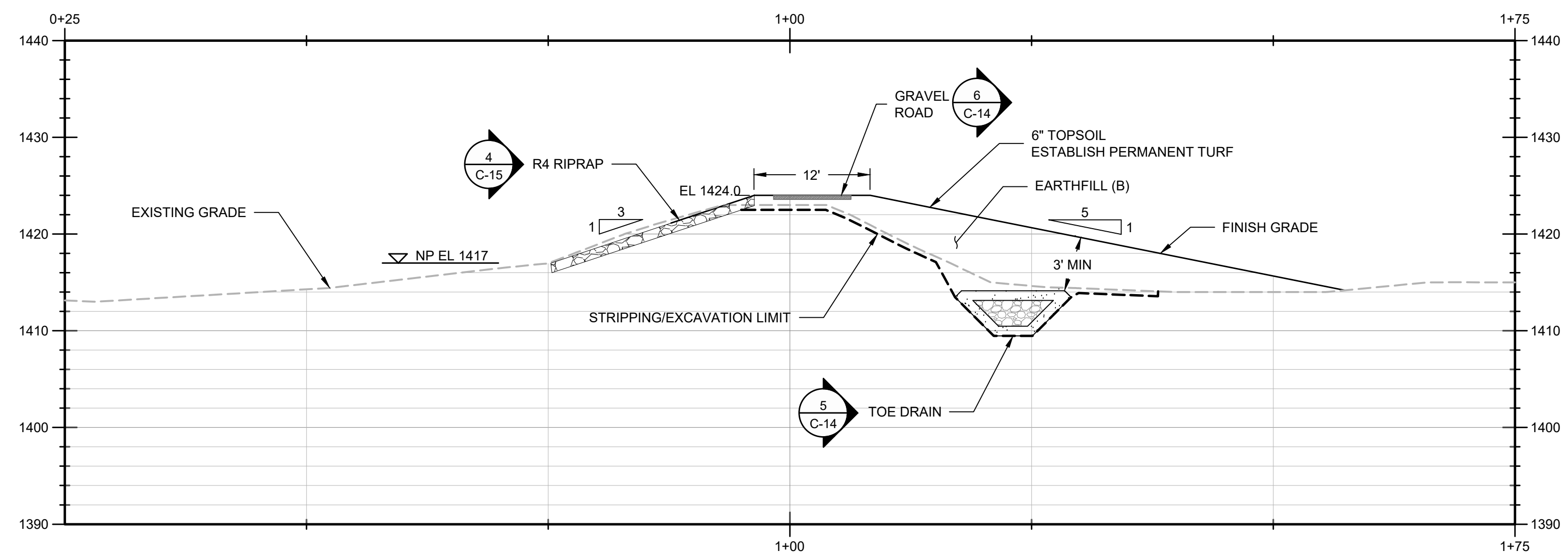
DRAWING CHANGES – ALL CONTRACTS

Item 1 - Drawing C-15, Embankment Sections - Dams 2 & 3: REPLACE Drawing C-15 with revised drawing C-15 attached to this addendum. Stationing has been revised.

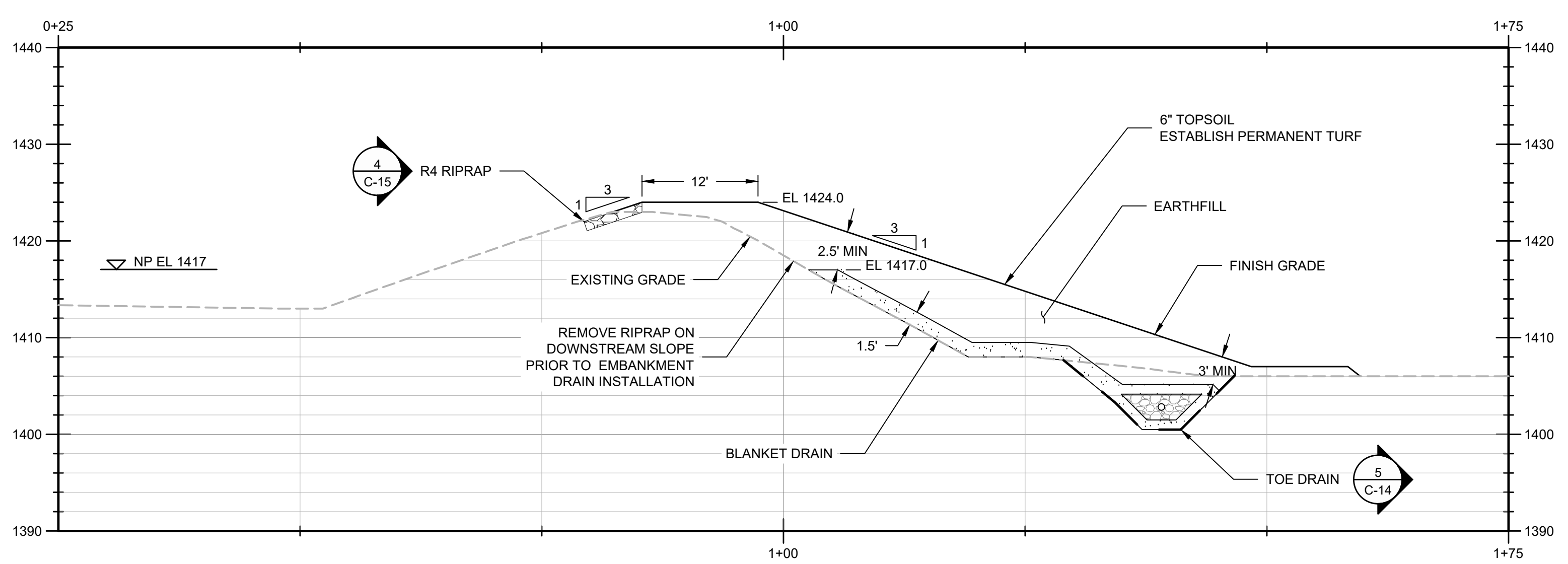
Item 2 - Drawings ES-2, ES-3, ES-4 and ES-5, E&S Plans: In the general note for construction sequence, DELETE in its entirety the 3rd sentence that reads "Work is not allowed in waterways between April 1 through June 15."



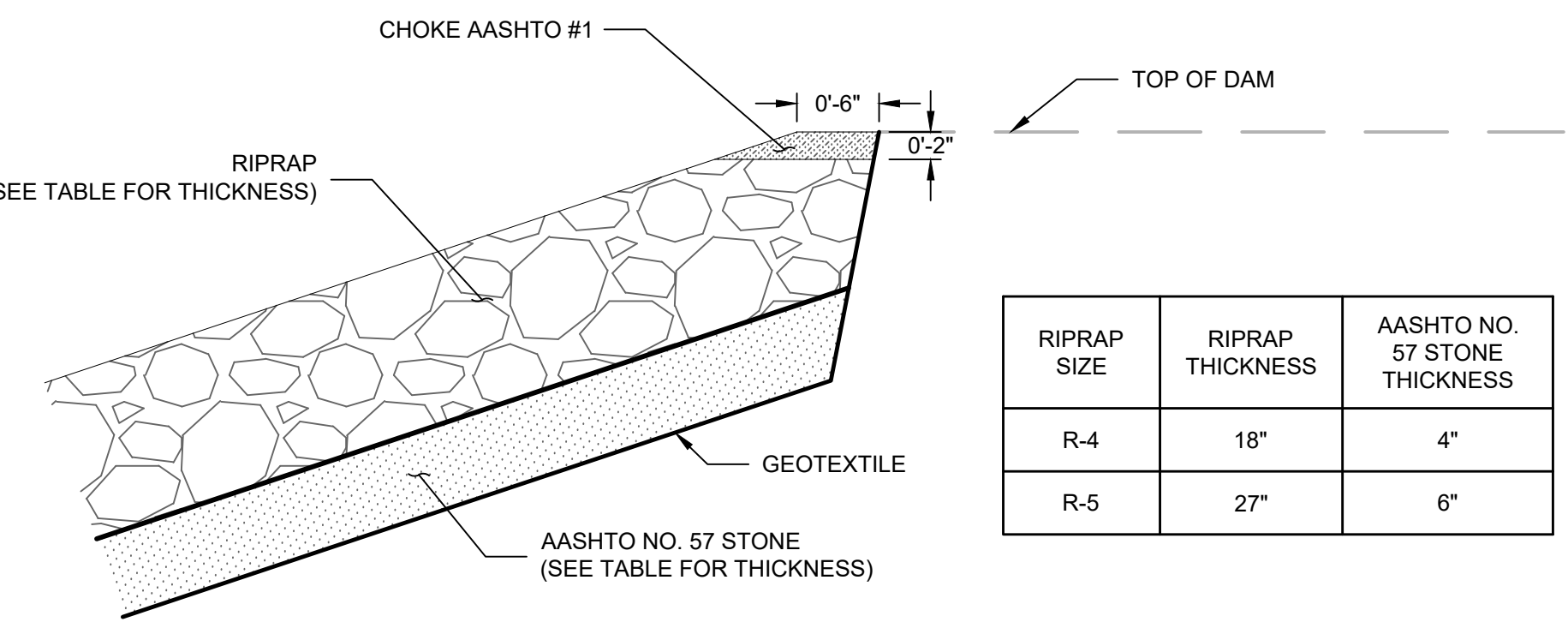
1 DAM 2 TYPICAL SECTION (STA 0+77 TO 1+75)
SCALE: 1"=10'



2 DAM 2 TYPICAL SECTION (STA 1+75 TO STA 2+00)
SCALE: 1"=10'

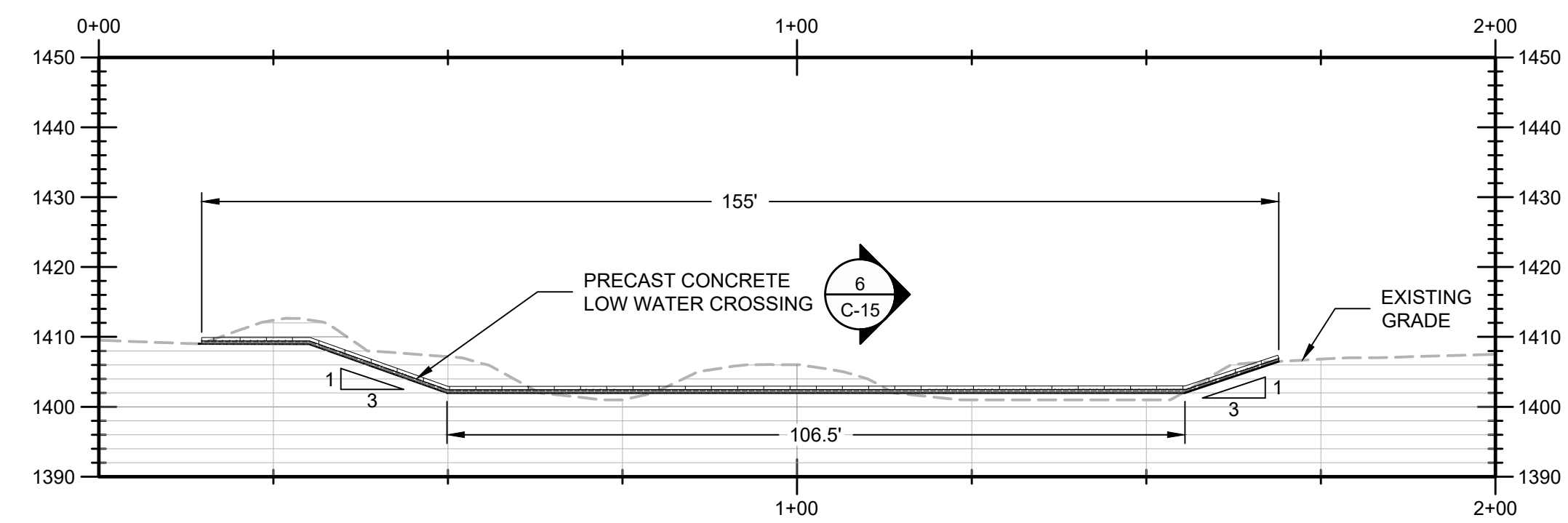


3 DAM 3 TYPICAL SECTION
SCALE: 1"=10'

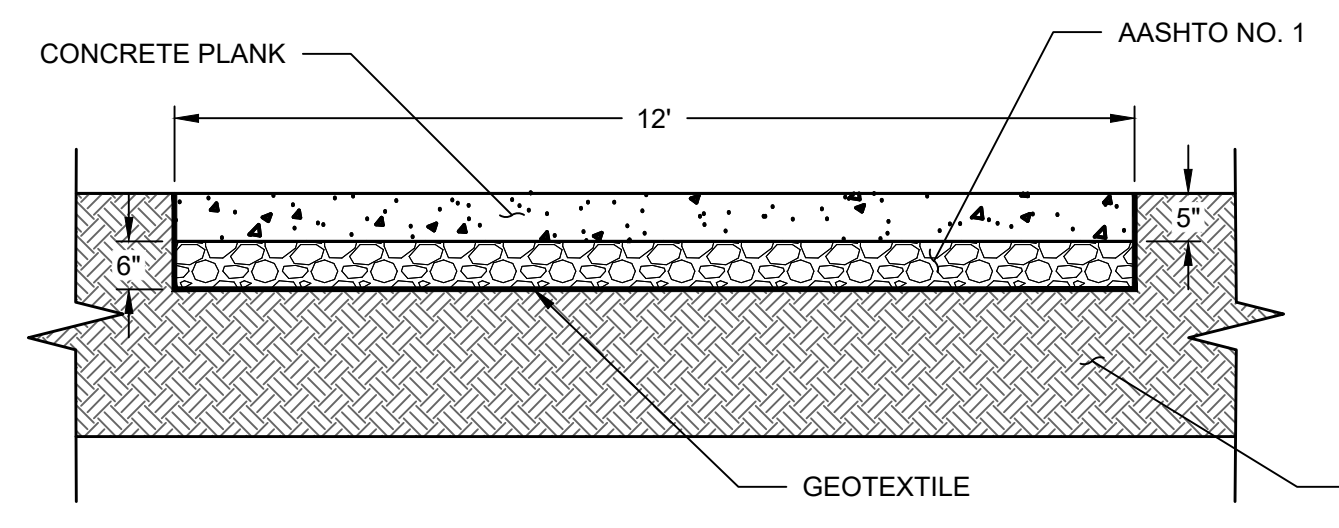


4 RIPRAP DETAIL
SCALE: 6"=10'

RIPRAP SIZE	RIPRAP THICKNESS	AASHTO NO. 57 STONE THICKNESS
R-4	18"	4"
R-5	27"	6"



5 LOW WATER CROSSING SECTION
SCALE: 1"=20'



6 LOW WATER CROSSING DETAIL
NTS

NOTES

- EARTHFILL REGIONS LABELED AS FOLLOWS HAVE USGS GROUP DESIGNATIONS DESCRIBED BELOW:
 - "CORE" REGION IDENTIFIED AS EARTHFILL "A" SHALL BE SILTY SAND (SM), CLAYEY SAND (SC), SILT (ML), ELASTIC SILT (MH), FAT CLAY (CH), OR, LEAN CLAY (CL).
 - "SHELL" REGION IDENTIFIED AS EARTHFILL "B" SHALL BE SILT (ML), SILTY SAND (SM), CLAYEY SAND (SC), OR LEAN CLAY (CL).

DESCRIPTION	DESCRIPTION
RECORD REVISIONS	
SCHNABEL ENGINEERING 3 DICKINSON DRIVE SUITE 200 CHADDS FORD, PENNSYLVANIA	
COMMONWEALTH OF PENNSYLVANIA DEPARTMENT OF GENERAL SERVICES HARRISBURG, PENNSYLVANIA	
PROJECT NO. DGS 199-45, PHASE 1	
LOWER WOODS POND DAM UPGRADES	
DEPARTMENT OF GENERAL SERVICES LEBANON TOWNSHIP, WAYNE COUNTY, PA	
EMBANKMENT SECTIONS - DAMS 2 & 3	
VERIFY SCALE BAR IS ONE (1) INCH LONG ON ORIGINAL DRAWING: IF BAR IS NOT ONE (1) INCH LONG, ADJUST SCALE ACCORDINGLY	DRAWN BY DPS DATE APR 2021 CHECK BY LMC SCALE AS SHOWN
CONTRACTOR SHALL FIELD VERIFY ALL DIMENSIONS. VARIANCE FROM CONTRACT DOCUMENTS NOT PERMITTED WITHOUT PROFESSIONAL & BUREAU OF CONSTRUCTION APPROVAL.	DRAWING NO. C-15